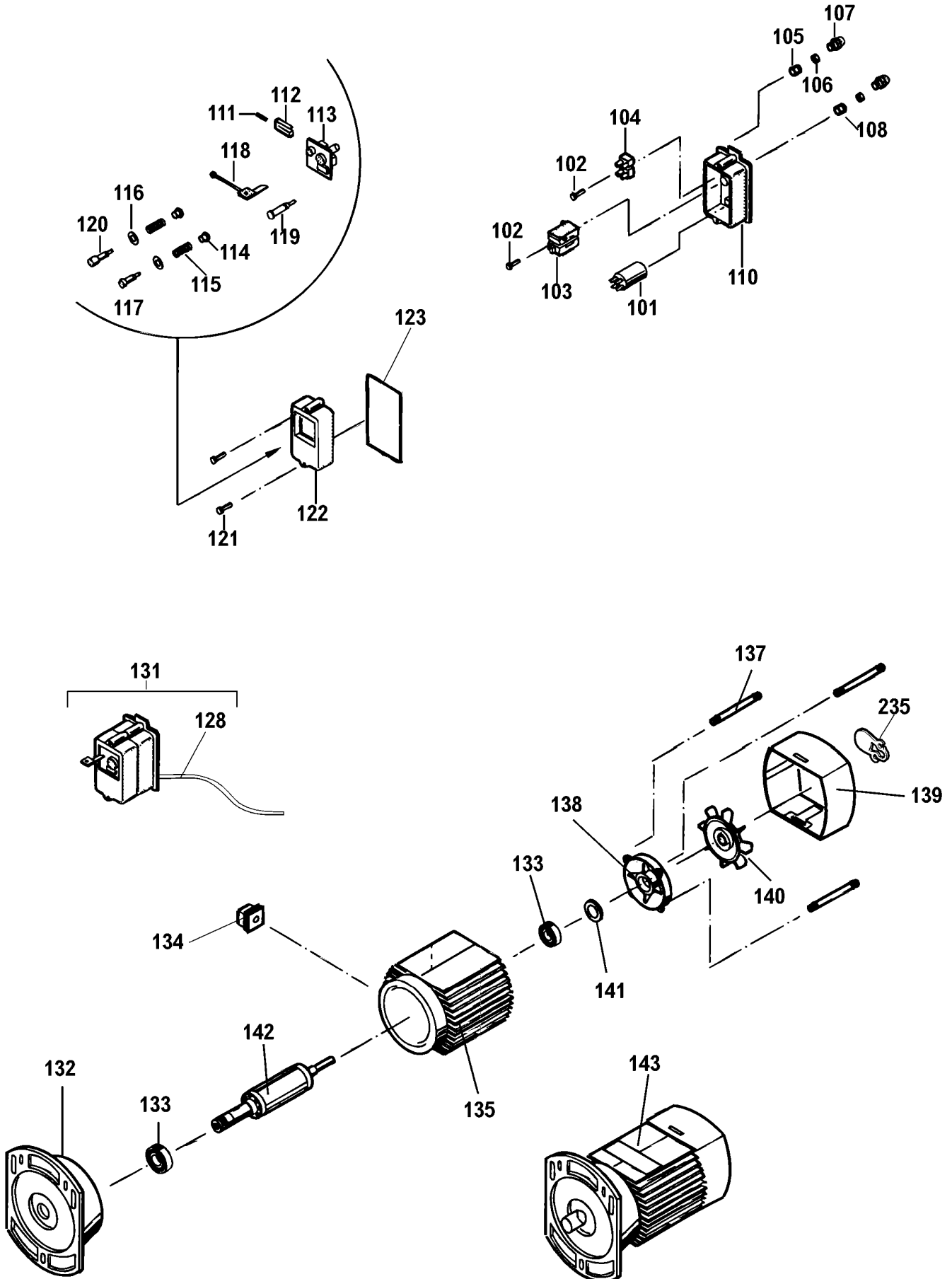
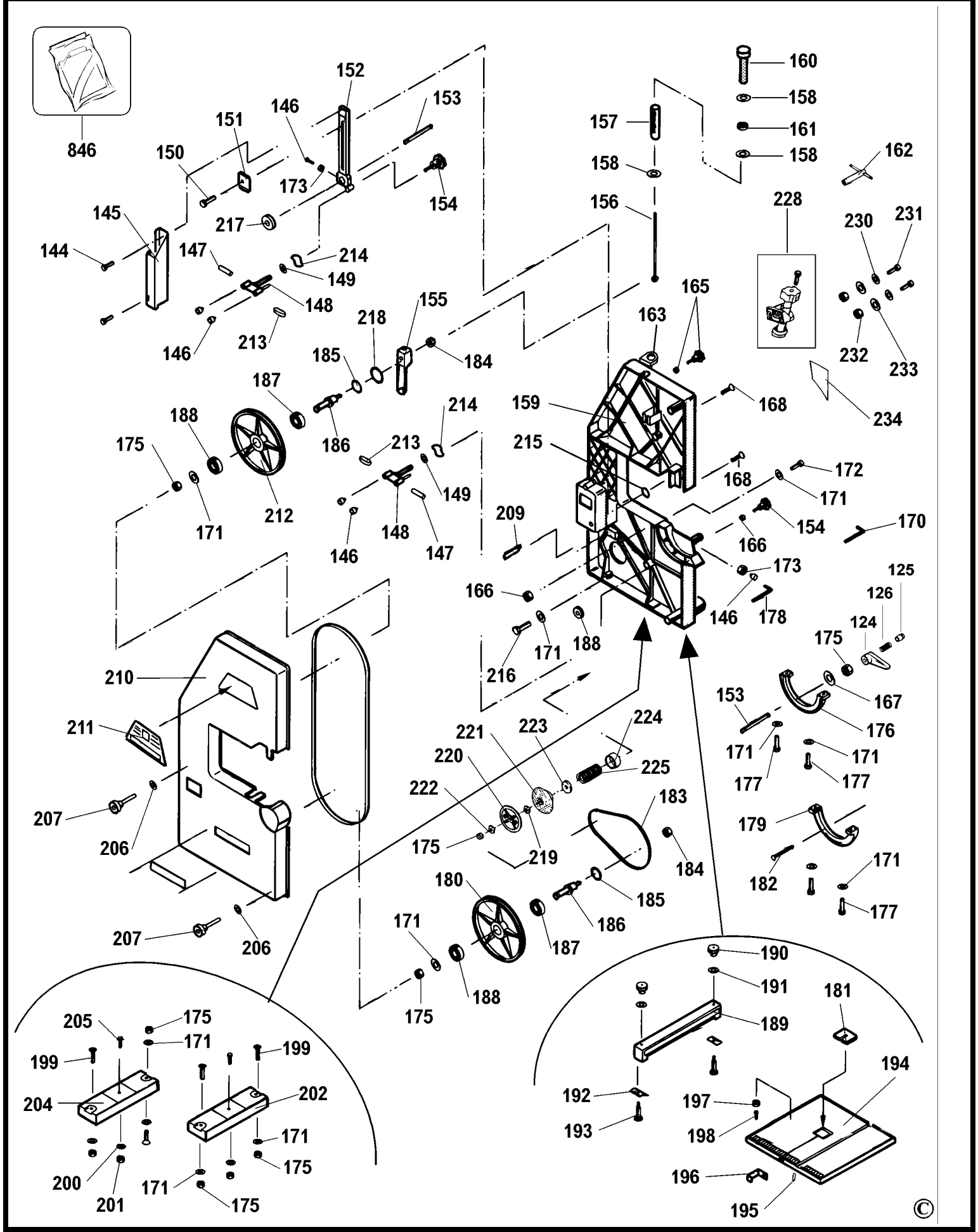


# DW739 Motor BANDSAW 1



# DW739 Main unit BANDSAW 1



## Parts List DW739 BANDSAW 1

Item	Part Number	Qty	Part Description	General Description	Other Info	Repair Inst	Markets
101	861429-08	1	CAPACITOR 220/240			No	QS
102	860084-08	2	SCREW			No	QS
103	868242-01	1	CONTACT 220V			No	QS
104	860468-00	1	CONNECTOR			No	QS
105	860452-00	1	BUSHING			No	QS
106	860463-00	2	CLAMP			No	QS
107	860462-00	2	NUT			No	QS
108	860452-01	1	GASKET			No	QS
110	860459-01	1	SWITCHBOX			No	QS
111	860112-06	1	SPRING			No	QS
112	860469-00	1	BLOCKING DEVICE			No	QS
113	860461-01	1	SWITCHBOX			No	QS
114	860466-00	2	GASKET			No	QS
115	860112-05	2	SPRING			No	QS
116	860077-01	2	WASHER			No	QS
117	860464-00	1	BUTTON			No	QS
118	863301-00	1	SAFETY KEY			No	QS
119	949785-02	1	NEON			No	QS
120	860465-00	1	BUTTON			No	QS
121	860084-17	2	SCREW			No	QS
122	860460-00	1	COVER			No	QS
123	863122-01	1	GASKET			No	QS
124	863320-00	1	LEVER			No	QS
125	863073-00	1	CAP			No	QS
126	760483-00	1	SPRING			No	QS
128	860472-00	1	CABLE SA			No	QS
132	860442-01	1	CALOTTE FRONT			No	QS
133	868768-07	1	BEARING			No	QS
134	860447-00	1	BUSHING			No	QS
135	868412-01	1	STATOR SA			No	QS
137	863119-00	4	TIE ROD			No	QS
138	860443-00	1	END CAP			No	QS

## Parts List DW739 BANDSAW 1

Item	Part Number	Qty	Part Description	General Description	Other Info	Repair Inst	Markets
139	860445-00	1	COVER			No	QS
140	860444-00	1	FAN			No	QS
141	860080-02	1	RING			No	QS
142	868439-00	1	ROTOR			No	QS
143	868392-02	1	MOTOR SA			No	QS
144	860428-00	2	SCREW			No	QS
145	863263-01	1	GUARD			No	QS
146	949853-02	1	SCREW			No	QS
147	863797-00	2	GUIDE BLOCK			No	QS
148	862183-01	2	GUIDE BLOCK			No	QS
149	860077-00	2	RETAINER			No	QS
150	949891-04	1	SCREW			No	QS
151	863126-00	1	PLATE			No	QS
152	862012-01	1	ROD			No	QS
153	863795-00	2	PIN			No	QS
154	863128-00	2	ADJUSTER			No	QS
155	862188-00	1	BRACKET			No	QS
156	949891-02	1	SCREW			No	QS
157	949722-04	1	SPRING			No	QS
158	860073-14	3	WASHER			No	QS
159	866379-02	1	FRAME SA			No	QS
160	863471-00	1	KNOB			No	QS
161	949755-02	1	BEARING			No	QS
162	869235-00	1	SPANNER BOX			No	QS
163	863287-00	1	GUIDE			No	QS
165	863468-03	1	KNOB SA			No	QS
166	860092-01	3	NUT			No	QS
167	941602-00	2	WASHER			No	QS
168	860094-00	2	SCREW.TEMP			No	QS
170	860098-04	1	WRENCH 6 MM			No	QS
171	860074-03	17	WASHER			No	QS
172	860093-00	1	SCREW			No	QS

## Parts List DW739 BANDSAW 1

Item	Part Number	Qty	Part Description	General Description	Other Info	Repair Inst	Markets
173	860083-18	2	NUT M5			No	QS
175	860083-04	7	NUT			No	QS
176	869431-00	1	SERVICE KIT			No	QS
177	860085-03	4	BOLT			No	QS
178	949882-03	1	HEX KEY			No	QS
179	869431-00	1	SERVICE KIT			No	QS
180	864550-02	1	WHEEL DRIVING SA			No	QS
181	863467-00	1	INSERT			No	QS
182	949891-07	1	SCREW			No	QS
183	949754-03	1	BELT DRIVE			No	QS
184	860083-05	4	NUT RH			No	QS
185	949745-01	2	RING			No	QS
186	863299-00	2	AXLE BANDWHEEL			No	QS
187	861721-06	2	BEARING			No	QS
188	N110358	2	BEARING			No	QS
189	869175-00	1	SERVICE KIT			No	QS
190	946469-00	2	KNOB			No	QS
191	860075-00	2	WASHER			No	QS
192	862205-90	2	CLAMP			No	QS
193	949702-17	2	SCREW			No	QS
194	862203-02	1	TABLE			No	QS
195	949867-10	1	PIN			No	QS
196	863257-00	1	PLATE			No	QS
197	949853-09	1	SCREW			No	QS
198	949760-02	1	INSERT			No	QS
199	860301-09	3	BOLT			No	QS
200	860073-04	2	WASHER			No	QS
201	860083-05	2	NUT RH			No	QS
202	863150-04	1	BASE RH			No	QS
204	863149-04	1	BASE LH			No	QS
205	860085-01	2	SCREW			No	QS
206	949745-02	2	RETAINER			No	QS

## Parts List DW739 BANDSAW 1

Item	Part Number	Qty	Part Description	General Description	Other Info	Repair Inst	Markets
207	863468-02	2	KNOB			No	QS
209	863801-00	1	BRUSH			No	QS
210	864431-15	1	COVER			No	QS
211	862618-08	1	LABEL			No	QS
212	864550-01	1	WHEEL DRIVING SA			No	QS
213	863796-00	2	GUIDE BLOCK			No	QS
214	949873-01	2	SPRING			No	QS
215	949727-03	1	RING			No	QS
216	860093-04	1	SCREW			No	QS
217	N110358	2	BEARING			No	QS
218	860076-03	1	WASHER			No	QS
219	860076-03	1	WASHER			No	QS
220	862186-90	1	PULLEY			No	QS
221	867072-00	1	PULLEY SA			No	QS
222	860074-03	1	WASHER			No	QS
223	945633-00	1	WASHER			No	QS
224	863127-01	1	CAP			No	QS
225	863274-00	1	SPRING			No	QS
228	862449-00	1	SUPPORT SA			No	QS
230	860083-02	2	NUT			No	QS
231	860085-11	2	SCREW			No	QS
232	860083-02	2	NUT			No	QS
233	860073-01	2	WASHER			No	QS
234	863220-02	1	LABEL			No	QS
235	863112-00	1	CAP			No	QS
846	864782-01	1	PARTS PACK SA			No	QS

## Parts List DW739 BANDSAW 1

Item	Part Number	Qty	Part Description	General Description	Other Info	Repair Inst	Markets
139	860445-00	1	COVER			No	QS
140	860444-00	1	FAN			No	QS
141	860080-02	1	RING			No	QS
142	868439-00	1	ROTOR			No	QS
143	868392-02	1	MOTOR SA			No	QS
144	860428-00	2	SCREW			No	QS
145	863263-01	1	GUARD			No	QS
146	949853-02	1	SCREW			No	QS
147	863797-00	2	GUIDE BLOCK			No	QS
148	862183-01	2	GUIDE BLOCK			No	QS
149	860077-00	2	RETAINER			No	QS
150	949891-04	1	SCREW			No	QS
151	863126-00	1	PLATE			No	QS
152	862012-01	1	ROD			No	QS
153	863795-00	2	PIN			No	QS
154	863128-00	2	ADJUSTER			No	QS
155	862188-00	1	BRACKET			No	QS
156	949891-02	1	SCREW			No	QS
157	949722-04	1	SPRING			No	QS
158	860073-14	3	WASHER			No	QS
159	866379-02	1	FRAME SA			No	QS
160	863471-00	1	KNOB			No	QS
161	949755-02	1	BEARING			No	QS
162	869235-00	1	SPANNER BOX			No	QS
163	863287-00	1	GUIDE			No	QS
165	863468-03	1	KNOB SA			No	QS
166	860092-01	3	NUT			No	QS
167	941602-00	2	WASHER			No	QS
168	860094-00	2	SCREW.TEMP			No	QS
170	860098-04	1	WRENCH 6 MM			No	QS
171	860074-03	17	WASHER			No	QS
172	860093-00	1	SCREW			No	QS

## Parts List DW739 BANDSAW 1

Item	Part Number	Qty	Part Description	General Description	Other Info	Repair Inst	Markets
173	860083-18	2	NUT M5			No	QS
175	860083-04	7	NUT			No	QS
176	869431-00	1	SERVICE KIT			No	QS
177	860085-03	4	BOLT			No	QS
178	949882-03	1	HEX KEY			No	QS
179	869431-00	1	SERVICE KIT			No	QS
180	864550-02	1	WHEEL DRIVING SA			No	QS
181	863467-00	1	INSERT			No	QS
182	949891-07	1	SCREW			No	QS
183	949754-03	1	BELT DRIVE			No	QS
184	860083-05	4	NUT RH			No	QS
185	949745-01	2	RING			No	QS
186	863299-00	2	AXLE BANDWHEEL			No	QS
187	861721-06	2	BEARING			No	QS
188	N110358	2	BEARING			No	QS
189	869175-00	1	SERVICE KIT			No	QS
190	946469-00	2	KNOB			No	QS
191	860075-00	2	WASHER			No	QS
192	862205-90	2	CLAMP			No	QS
193	949702-17	2	SCREW			No	QS
194	862203-02	1	TABLE			No	QS
195	949867-10	1	PIN			No	QS
196	863257-00	1	PLATE			No	QS
197	949853-09	1	SCREW			No	QS
198	949760-02	1	INSERT			No	QS
199	860301-09	3	BOLT			No	QS
200	860073-04	2	WASHER			No	QS
201	860083-05	2	NUT RH			No	QS
202	863150-04	1	BASE RH			No	QS
204	863149-04	1	BASE LH			No	QS
205	860085-01	2	SCREW			No	QS
206	949745-02	2	RETAINER			No	QS



## Parts List DW739 BANDSAW 1

Item	Part Number	Qty	Part Description	General Description	Other Info	Repair Inst	Markets
207	863468-02	2	KNOB			No	QS
209	863801-00	1	BRUSH			No	QS
210	864431-15	1	COVER			No	QS
211	862618-08	1	LABEL			No	QS
212	864550-01	1	WHEEL DRIVING SA			No	QS
213	863796-00	2	GUIDE BLOCK			No	QS
214	949873-01	2	SPRING			No	QS
215	949727-03	1	RING			No	QS
216	860093-04	1	SCREW			No	QS
217	N110358	2	BEARING			No	QS
218	860076-03	1	WASHER			No	QS
219	860076-03	1	WASHER			No	QS
220	862186-90	1	PULLEY			No	QS
221	867072-00	1	PULLEY SA			No	QS
222	860074-03	1	WASHER			No	QS
223	945633-00	1	WASHER			No	QS
224	863127-01	1	CAP			No	QS
225	863274-00	1	SPRING			No	QS
228	862449-00	1	SUPPORT SA			No	QS
230	860083-02	2	NUT			No	QS
231	860085-11	2	SCREW			No	QS
232	860083-02	2	NUT			No	QS
233	860073-01	2	WASHER			No	QS
234	863220-02	1	LABEL			No	QS
235	863112-00	1	CAP			No	QS
846	864782-01	1	PARTS PACK SA			No	QS